

## Viking Bench Type Bandsaws

Viking Bench Style Bandsaws have a robust stainless steel construction, ideal for the meat and fish industry



Stainless Steel Pulleys with Double Rim

## Features include:

- Robust stainless steel construction
- Automatic preset tension control
- Waste pan attached for bone dust
- Easy washdown
- Stainless steel pulleys with double rim
- Scrapers detachable without tools for cleaning
- Made in Europe

## Options:



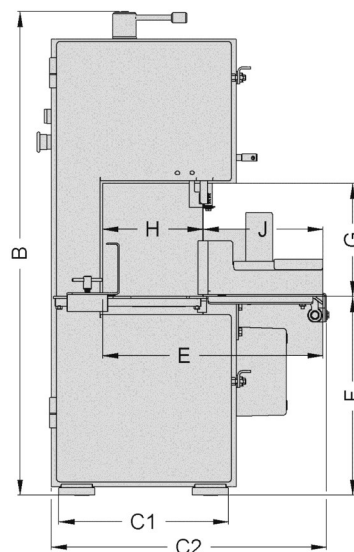
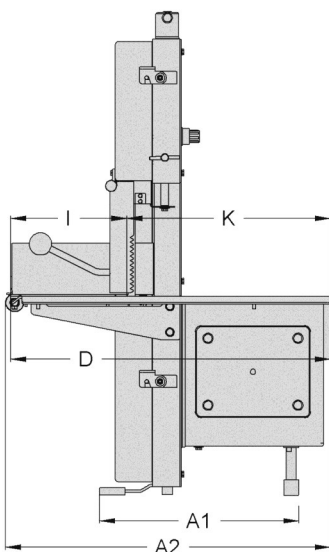
Half Sliding Table



Wheels



Support



MOD	ST 230 (mm.)	ST 270 (mm.)	ST 320 (mm.)	
A1	390	400	400	
A2	630	680	680	
B	940	1050	1200	
C1	330	380	430	
C2	540	610	660	
D	620	670	670	
E	430	480	530	
F	385	420	470	
G	220	270	320	
H	195	225	275	
I	225	260	260	
J	235	255	255	
K	395	410	410	
kg.	73	85	97	
Ø Polea/Pulley/Poulie/Rolle	220	250	300	
Cinta / Band / Ruban	1740	1985	2340	
CV. / H.P.	II / 1Ph	1	1,5	2
	III / 3Ph	1	1,5	2